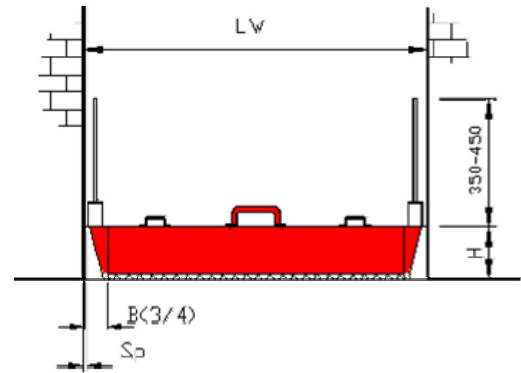


1.2 Retention barrier type BL/BST-EX

Article root number: 012

Barrier Drawing – slide-insert – for extreme conditions Based on standard barrier BL/BST multi-functional

Dimensions:	
Standard height	50 to 200 mm
Standard length	up to 6000 mm
Special situations	upon request
Width	50 mm



1.2.1 Description

Suitable for crack-free surfaces with up to 20 mm (± 10 mm) of floor/ground unevenness, e.g. concrete, corrugated sheet metal, tiles, stones, asphalt, etc. Special feature: Sealing of railroad tracks.

The Retention Barrier is comprised of a trapezoidal, integral hollow aluminium profiled body. A compressible, highly adaptable special seal is affixed to the lower side and end faces.

The Retention Barrier is securely mounted in two mounting fixtures to the left and to the right of the opening to be secured and tightly sealed against the building or structure. Installation within the doorjamb is possible.

A light vertical tensioning device is bolted on each of the mounting fixtures with which the necessary force can be applied to press the body of the barrier into place against the mounts and the floor/ground, fix it into place and compress the floor/ground seal. A leak-proof closure is ensured in this manner. The contact pressure is adjustable.

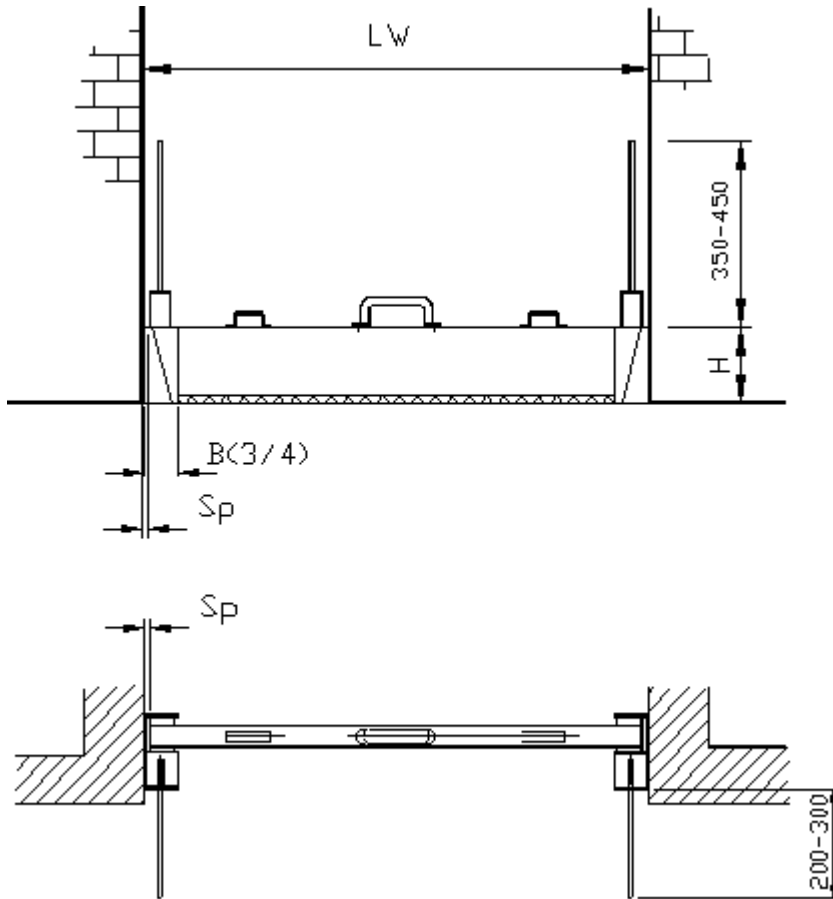
Wall mounts are included in the product package to provide for orderly storage.

Barrier bodies and mounting fixtures are furnished with a red paint finish, preferably "traffic red" RAL 3020. The remaining metal components are galvanized or made of aluminium.

Features:

- Ease of use and high degree of adaptability
- Manufactured according to LGA Test Guideline 3/93
- Quality-monitored (Ing.-Büro Blobel, Friedberg, Germany)
- Field-tested

1.2.2 Drawing – "within the doorjamb"



BL / BST-EX (Barrier - slide-insert - extreme)

Table of dimensions for specified dimension LBi (LBi = barrier length, within the jamb)

B3 / 70

Height H [mm]	LWi [mm]	LBi = LW - (2 x Sp ₃)	B3
50	up to 6000	Sp ₃ = 20 mm	
100	up to 5000	B ₃ = 70 mm	
150	up to 4000		

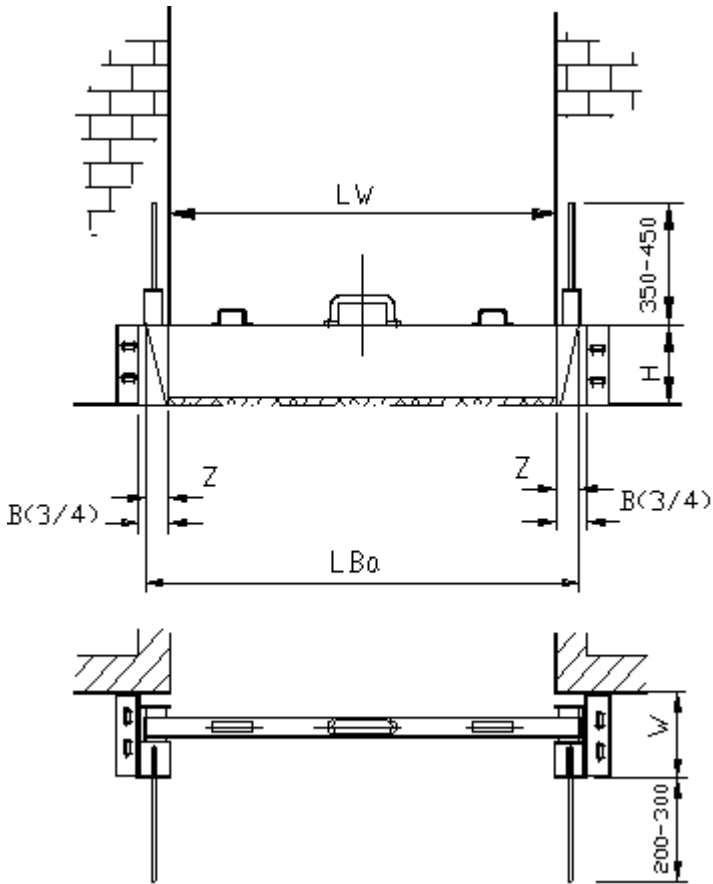


B4 / 90

Height H [mm]	LWi [mm]	LBi = LW - (2 x Sp ₄)	B4
100	over 5000	Sp ₄ = 20 mm	
150	over 4000	B ₄ = 90 mm	
200	all lengths		



1.2.3 Drawing – "outside of doorjamb"



BL / BST-EX (Barrier - slide-insert - extreme)

Table of dimensions for specified dimension LBa (LBa = barrier length, outside of jamb)

B3 / 70

Height H [mm]	LWa [mm]	LBa = LW + (2 x Z ₃)
50	up to 6000	W _{1,3} = 175 mm
100	up to 5000	Z ₃ = ad measurement = 50 mm
150	up to 4000	B ₃ = 70 mm

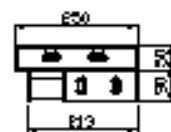
B3



B4 / 90

Height H [mm]	LWa [mm]	LBa = LW + (2 x Z ₄)
100	over 5000	W _{1,3} = 250 mm
150	over 4000	Z ₄ = ad measurement = 70 mm
200	all lengths	B ₄ = 90 mm

B4



Europe

Blobel Umwelttechnik GmbH

Ziegeleistraße 5
86368 Gersthofen, Germany

Telephone: +49 (0)821 498190-0
Telefax: +49 (0)821 498190-30

email: info@blobel.de
Web: www.blobel.de

North America / Canada

BLOBEL Environmental Engineering LLC

270 Presidential Drive
Wilmington, Delaware 19807, USA

Telephone: +1 302-353-1555
Telefax: +1 302-288-3753
Mobile: +1-215-666-2267

email: info@blobel.us
Web: www.blobel.com

Asia / Pacific / South America

Blobel Environmental Engineering

6/41 Belgrave Street
Sydney NSW 2024, Australia

Telephone: +61 (0)2/93 69 35 04
Mobile: +61 (0) 4 19 27 94 81

email: mail@blobel.com
Web: www.blobel.com